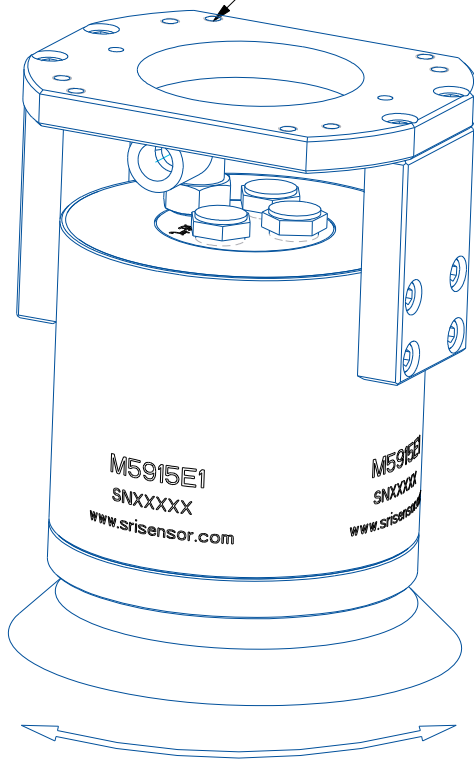
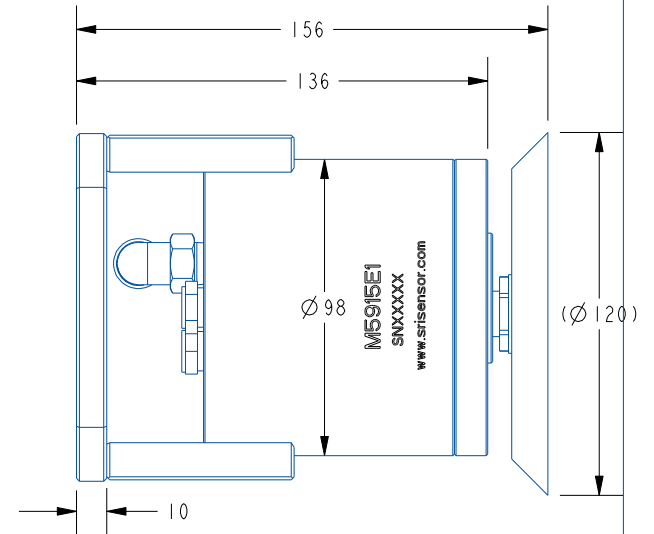
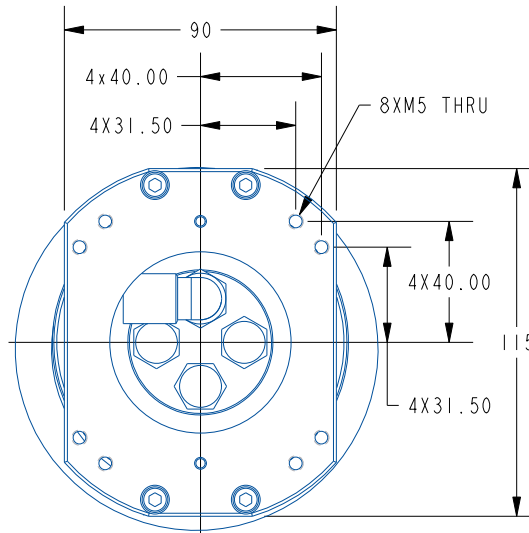


DIRECTLY MOUNTED TO LIGHT-WEIGHT IGRINDER
M5307A, M5307R, M5308B, M5308C, M5308R25, M5308R35



±3° ADAPTIVE TO GRINDING SURFACE



HIGH POWER:
SANDER PAD ROTATION WILL NOT STOP AT GRINDING FORCE 60N, FOR #80 SAND PAPER UNDER AIR PRESSURE 0.6MPA. FOR COMPARISON, GRINDING FORCE FOR A TYPICAL PNEUMATIC ORBITAL SANDER IS LESS THAN 30N

ADAPTIVE:
WHEN SANDER PAD DEVIATES FROM THE GRINDING SURFACE DUE TO ROBOTIC PROGRAMMING ERROR OR VARIATION FROM ONE WORKPIECE TO ANOTHER, SANDER PAD WILL AUTOMATICALLY ROTATE UNTIL BOTH SURFACES MATCH EACH OTHER.

SPECIFICATIONS

PAD SIZE	5"
FREE SPEED	9000 RPM
ORBIT DIAMETER	5 MM
AIR INLET	10 MM
MASS	2.9 KG
GRINDING FORCE	UP TO 60N
AIR PRESSURE	0.6-0.8MPA
AIR CONSUMPTION	115 L/MIN
OPERATION TEMPERATURE	-10 TO 60°C
ADAPTIVE ANGLE	3°. ANY ORIENTATION

SUNRISE INSTRUMENTS

www.srisensor.com

ADAPTIVE PNEUMATIC ORBITAL SANDER
5" PAD, HIGH POWER

UNLESS OTHERWISE SPECIFIED
DIMENSIONS ARE IN MM

M5915E1

REV.
A