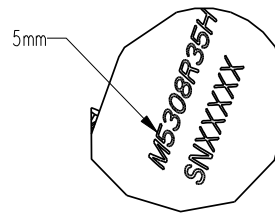
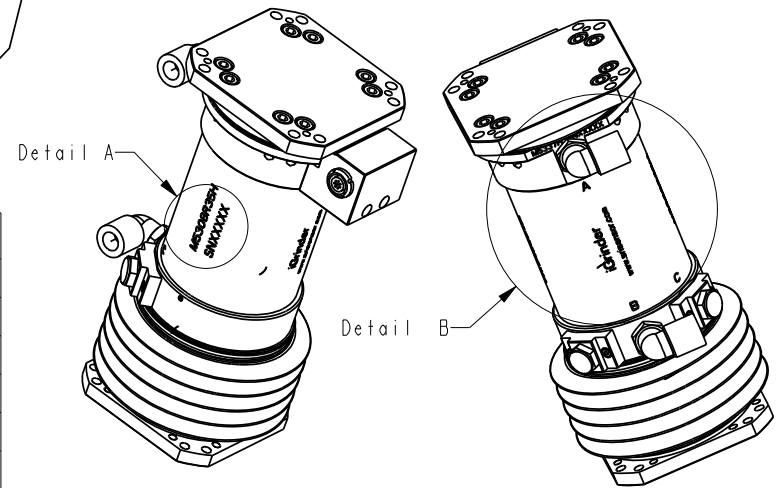


Detail B
Scale 0.300



Detail A
Scale 0.600



SPECIFICATIONS	
MAX. FORCE - PUSH & PULL	300 N
FORCE ACCURACY	±1 N
STROKE	35 MM
STROKE MEASUREMENT ACCURACY	0.01 MM
PAYLOAD (MASS OF GRINDING TOOL)	16 KG
MAX. BENDING MOMENT - CRASH	250 NM
MAX. TORSION MOMENT - CRASH	250 NM
AIR SUPPLY	MAX. 7 BAR, OIL FREE, 0.05MM
AIR CONSUMPTION	5-10 L/MIN
MASS	4.6 KG
POWER SUPPLY	220V, 3A
COMMUNICATION - STANDARD	ETHERNET TCP/IP, RS232, I/O
COMMUNICATION - OPTIONAL	PROFINET
PROTECTION CLASS	IP65
OPERATION TEMPERATURE	-10 TO 60 °C

SUNRISE INSTRUMENTS

www.srisensor.com

LIGHT-WEIGHTED IGRINDER 35MM
HIGH STRENGTH

UNLESS OTHERWISE SPECIFIED
DIMENSIONS ARE IN MM

M5308R35H

REV.
A