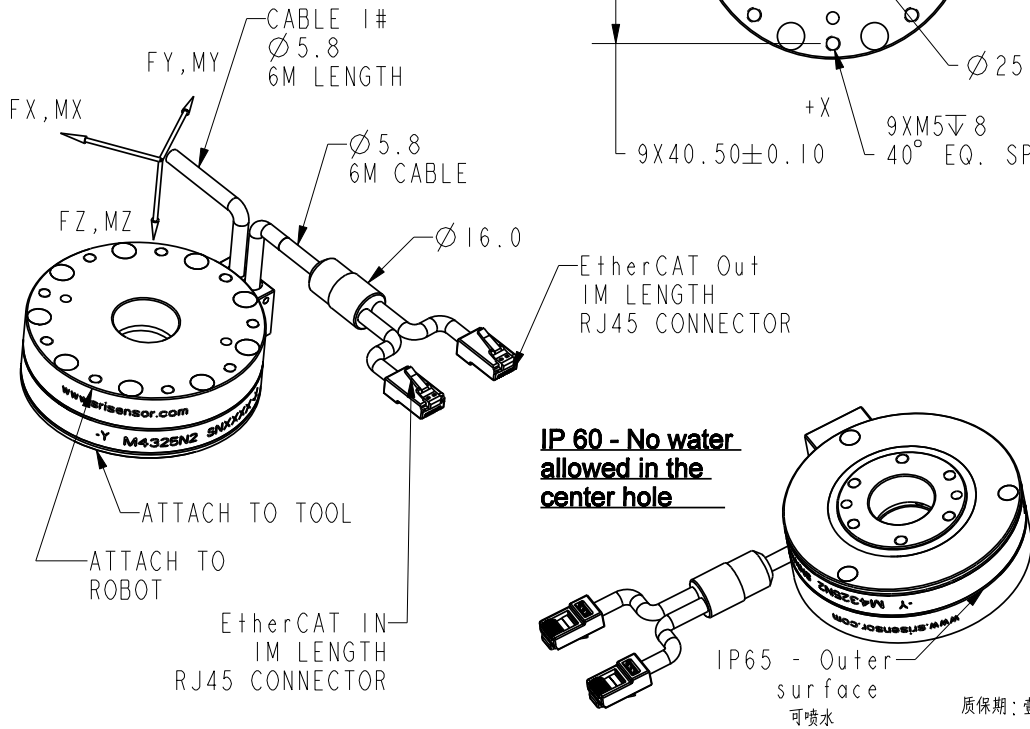
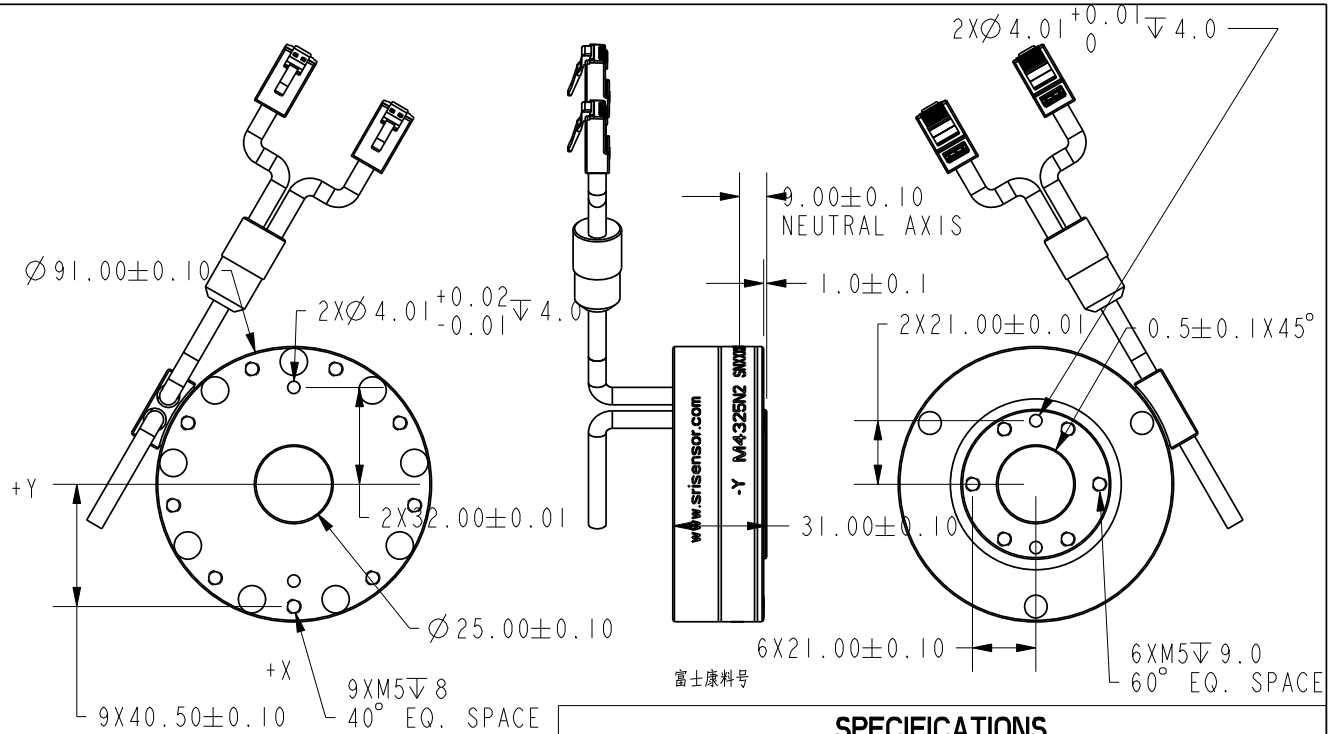


CABLE I#	
BLUE	+24V
BLUE&WHITE	GND
BROWN	RS232-TX
BROWN&WHITE	RS232-RX
ORANGE	REFSEN+
ORANGE&WHITE	REFSEN-



SPECIFICATIONS	
POWER SUPPLY	+24V@120MA
OVERLOAD CAPACITY (%F.S.)	400
FREE AIR RESONANT FREQ. (HZ.)	1500
CROSSTALK (%F.S.)	2.5
NON-LINEARITY (%F.S.)	0.5
HYSTERESIS (%F.S.)	0.5
OPERATING TEMP. RANGE (°C)	-40 TO +100
COMPENSATED TEMP. RANGE (°C)	10 TO 70
MASS (KG)	0.58

SUNRISE INSTRUMENTS
www.srisensor.com

SIX AXIS CIRCULAR LOAD CELL, COUPLED
D91MM F100N, EtherCAT, IP65

UNLESS OTHERWISE SPECIFIED DIMENSIONS ARE IN MM	M4325N2	REV. 0.1
--	---------	-------------

	Fx	Fy	Fz	Mx	My	Mz
CAPACITY (N/Nm)	100	100	200	10	10	10
OUTPUT	EtherCAT					

质保期：壹年