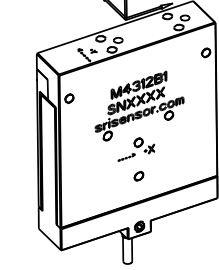
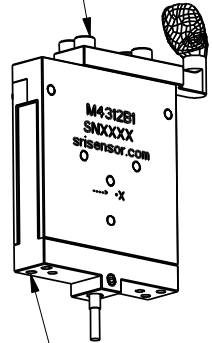


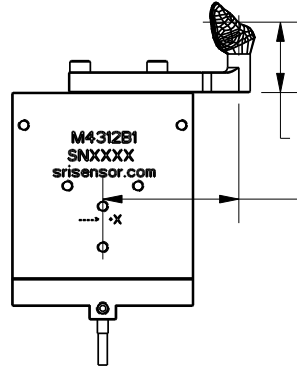
FZ, MZ  
FY, MY  
FX, MX



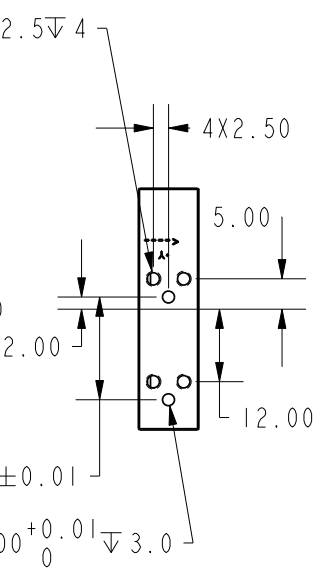
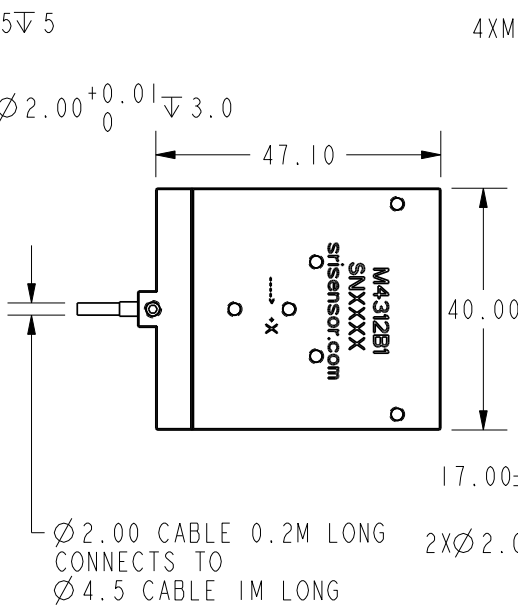
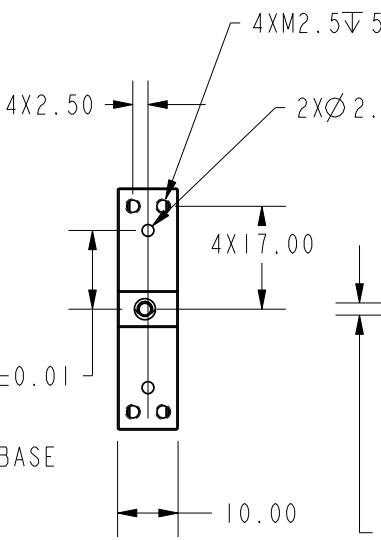
4XSHCS M2.5  
SECURE TOOTH



2X13.00±0.01  
4XM2.5∇5  
SECURE SENSOR TO BASE



15.50 NEUTRAL AXIS  
30.00 NEUTRAL AXIS



∅2.00 CABLE 0.2M LONG  
CONNECTS TO  
∅4.5 CABLE 1M LONG

POSITIVE OUTPUT WHEN THE LOAD IS APPLIED TO THE UPPER PORTION PER COORDINATE SYSTEM

THE OUTPUTS ARE NOT STRUCTURALLY DECOUPLED  
A 6X6 DECOUPLED MATRIX IS PROVIDED TO OBTAIN EACH COMPONENT

SCALE 0.600

	Fx	Fy	Fz	Mx	My	Mz
<b>CAPACITY (N/Nm)</b>	80	80	80	1.2	1.2	1.2
<b>OUTPUT (mV/V)</b>	COUPLED					
<b>BRIDGE RES. (Ω)</b>	350	350	350	350	350	350

SPECIFICATIONS	
EXCITATION MAX. (V)	5
OVERLOAD CAPACITY (%F.S.)	300
CROSSTALK (%F.S.)	3.0
NON-LINEARITY (%F.S.)	1.0
HYSTERESIS (%F.S.)	1.0
OPERATING TEMP. RANGE (°C)	-40 TO +100
COMPENSATED TEMP. RANGE (°C)	10 TO 70
MASS (KG)	0.038

**WIRING CODE - TWISTED PAIR**

FUNC	CHN1	CHN2	CHN3	CHN4	CHN5	CHN6
+SIG	WHITE(BROWN)	ORG(BROWN)	BLUE(BROWN)	YEL(BROWN)	RED(BROWN)	WHITE(BLACK)
-SIG	BROWN(WHITE)	BROWN(ORG)	BROWN(BLUE)	BROWN(YEL)	BROWN(RED)	BLACK(WHITE)
+EXC	RED(BLACK)			BLACK(RED)		
-EXC	YELLOW(BLACK)			BLACK(YELLOW)		
"YEL"="YELLOW", "ORG"="ORANGE", "WHITE(BROWN)" = WHITE CABLE IN WHITE/BROWN PAIR						

**SUNRISE INSTRUMENTS**  
[www.srisensor.com](http://www.srisensor.com)

SIX AXIS CIRCULAR LOAD CELL, COUPLED  
10MM THICK, F80N

UNLESS OTHERWISE SPECIFIED DIMENSIONS ARE IN MM	M4312B1	REV. A
--	---------	-----------