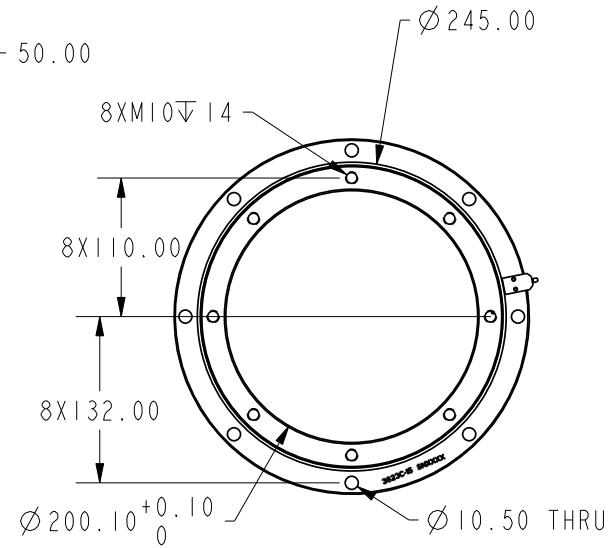
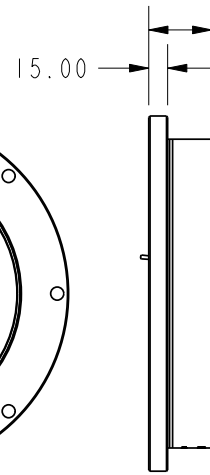
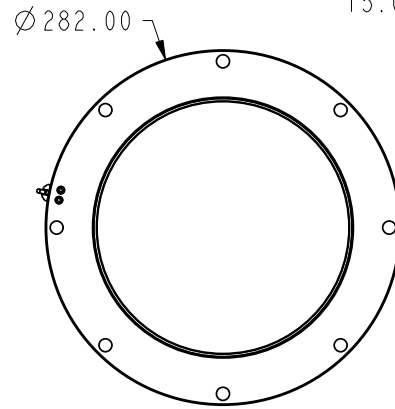


Ø 3.0 CABLE
2M TO AMPLIFIER
7M AFTER AMPLIFIER



SEALED, IP67

WIRING CODE	
COLOR	FUNCTION
RED	+EXC
GREEN	+SIG
BLACK	-EXC
BROWN	-SIG

SPECIFICATIONS

CAPACITY (N)	±70kN
OVERLOAD CAPACITY (%F.S.)	200
DIFFERENTIAL OUTPUT @ F.S. NOMINAL	±10V
EXCITATION (VDC) MAX.	24V
BRIDGE RESISTANCE (Ω) NOMINAL	350
NON-LINEARITY (%F.S.)	±0.1
HYSTERESIS (%F.S.)	±0.1
OPERATING TEMP. RANGE (°C)	-35 TO +80
ZERO OFFSET - TEMP DRIFT	±0.1FS/10°C
SENSITIVITY - TEMP DRIFT	±0.1FS/10°C
MASS (KG)	5.7

SUNRISE INSTRUMENTS
www.srisensor.com

UNIAXIAL LOADCELL 70 KN

UNLESS OTHERWISE SPECIFIED
DIMENSIONS ARE IN MM

M3623C

REV.
A