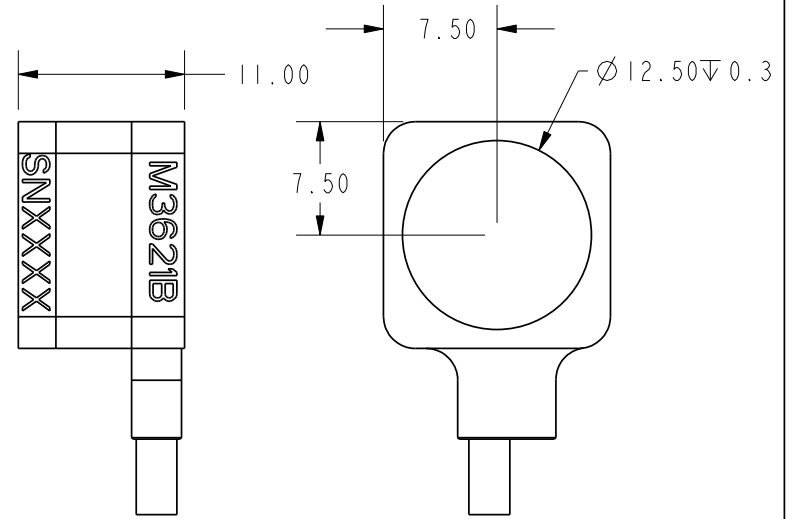
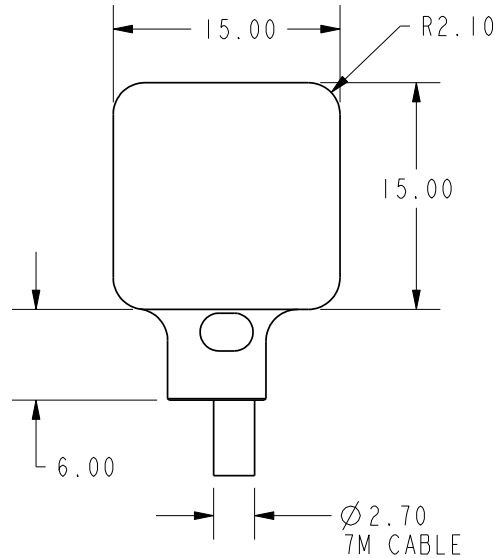
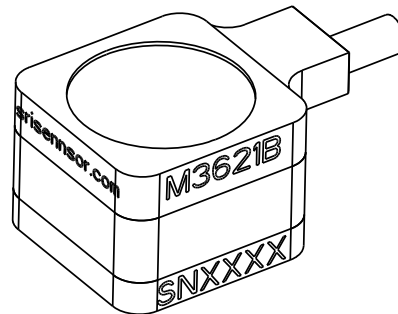


MATING PLATE
SLOT SIZES: 15.2 X 15.2 X 6.4
CHAMFER 1.5X45°



SPECIFICATIONS	
CAPACITY (N)	10000
OVERLOAD CAPACITY (%F.S.)	200
OUTPUT @ F.S. (mV/V) NOMINAL	1.7
EXCITATION (VDC) MAX.	15
BRIDGE RESISTANCE (Ω) NOMINAL	350
NON-LINEARITY (%F.S.)	1.5
HYSTERESIS (%F.S.)	1.5
OPERATING TEMP. RANGE (°C)	-20 TO +100
CROSSTALK (%F.S.)	N/A
MASS (KG)	0.015

WIRING CODE	
COLOR	FUNCTION
RED	+EXC
GREEN	+SIG
BLACK	-EXC
BROWN	-SIG



SUNRISE INSTRUMENTS
www.srisensor.com

UNIAXIAL LOADCELL 10000 N

UNLESS OTHERWISE SPECIFIED DIMENSIONS ARE IN MM	M3621B	REV. 0.1
--	--------	-------------