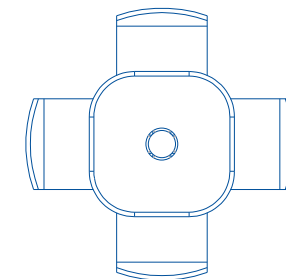
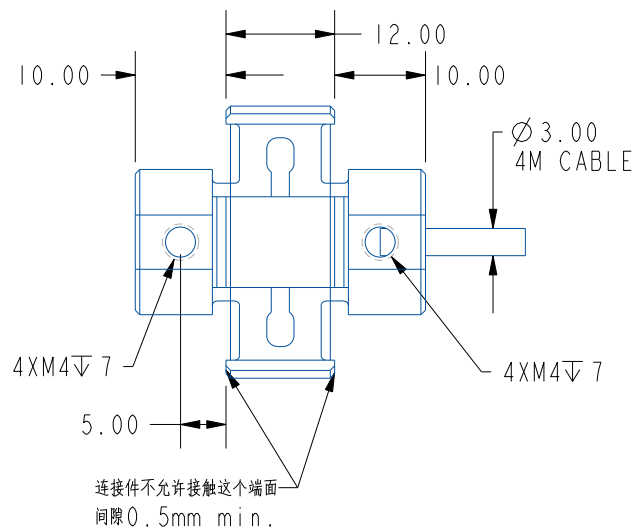
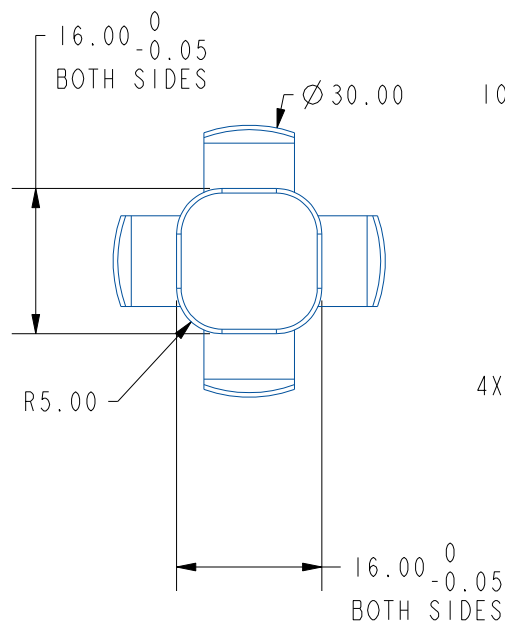


FZ



	Fx	Fy	Fz	Mx	My	Mz
<b>CAPACITY (N)</b>	NA	NA	5000	NA	NA	NA
<b>OUTPUT (mV/V)</b>	NA	NA	1.0	NA	NA	NA
<b>BRIDGE RES. (<math>\Omega</math>)</b>	NA	NA	350	NA	NA	NA

SPECIFICATIONS	
EXCITATION MAX. (V)	15
OVERLOAD CAPACITY (%F.S.)	150
CROSSTALK (%F.S.)	2.5
NON-LINEARITY (%F.S.)	0.5
HYSTERESIS (%F.S.)	0.5
OPERATING TEMP. RANGE ( $^{\circ}$ C)	-40 TO +100
COMPENSATED TEMP. RANGE ( $^{\circ}$ C)	10 TO 70
MASS (KG)	0.1

WIRING CODE - TWISTED PAIR WIRES					
Fx		Fy		Fz	
COLOR	FUNCTION	COLOR	FUNCTION	COLOR	FUNCTION
RED (BLACK)	+EXC.	RED (BROWN)	+EXC.	ORANGE (BLACK)	+EXC.
BLACK (RED)	-EXC.	BROWN (RED)	-EXC.	BLACK (ORANGE)	-EXC.
YELLOW (BROWN)	+SIG.	BLUE (BROWN)	+SIG.	YELLOW (BLACK)	+SIG.
BROWN (YELLOW)	-SIG.	BROWN (BLUE)	-SIG.	BLACK (YELLOW)	-SIG.

**SUNRISE INSTRUMENTS**  
www.srisensor.com

UNIAXIAL SQUARE LOAD CELL  
5000N CAPACITY

UNLESS OTHERWISE SPECIFIED DIMENSIONS ARE IN MM	M3619M	REV. A1
--	--------	------------