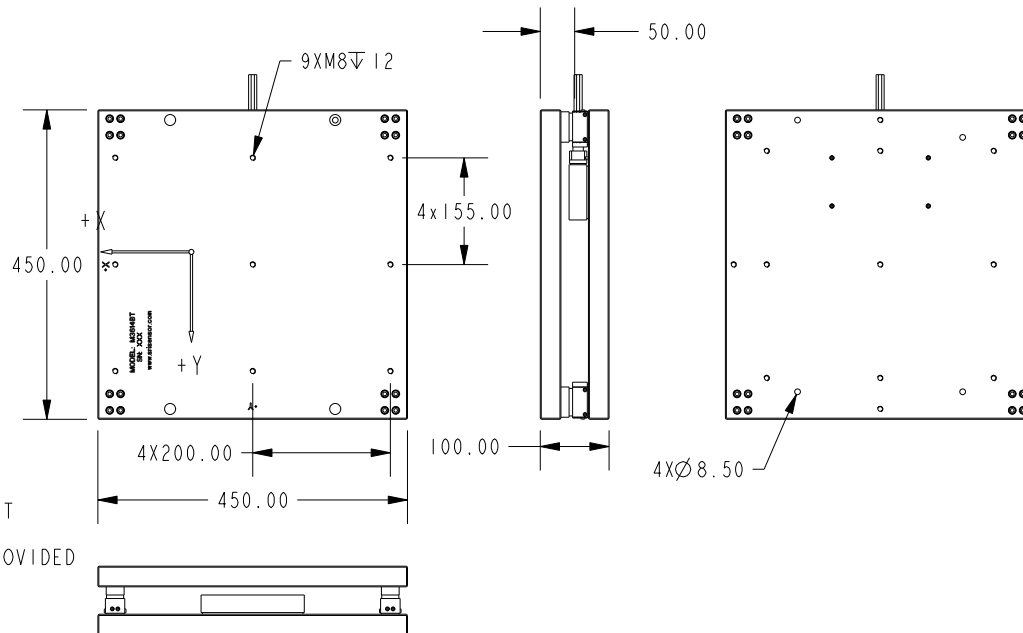


M8127A2 - INTERFACE BOX  
(FOR SHOW ONLY, NOT PART OF M3614BT)  
CONNECTED TO M3614BT  
COMMUNICATED TO PC VIA RS232 OR ETHERNET  
TO PROVIDE DECOUPLED FX,FY,FZ,MX,MY,MZ  
DEBUGGING AND SAMPLE C++ SOURCE CODE PROVIDED  
AC TO DC POWER ADAPTOR INCLUDED



THE FORCE PLATE INCLUDES 4 THREE-AXIS LOADCELLS. THERE ARE 12 OUTPUT CHANNELS. WHEN THE OUTPUT VOLTAGES (12X1 COLUMN) ARE PRE-MULTIPLIED BY A 6X12 DECOUPLED MATRIX, THE PRODUCT (6X1 COLUMN) WILL BE THE FORCES (FX, FY, FZ) AND MOMENTS (MX, MY, MZ). THE DECOUPLED MATRIX WILL BE PROVIDED IN THE CALIBRATION REPORT.

THE DECOUPLED CALCULATION IS PERFORMED AT THE INTERFACE BOX M8127A2

THE RESOLUTION IS: FX & FY: 0.5N, FZ: 1N, MX & MY: 0.16Nm, Mz: 0.12Nm

	Fx	Fy	Fz	Mx	My	Mz
<b>CAPACITY (N/Nm)</b>	2500	2500	5000	800	800	600
<b>OUTPUT (mV/V)</b>	1.0 to 2.5 mV/V, COUPLED OUTPUT					
<b>BRIDGE RES. (Ω)</b>	350	350	350	350	350	350

### SPECIFICATIONS

EXCITATION MAX. (V)	8
OVERLOAD CAPACITY (%F.S.)	200
FREE AIR RESONANT FREQ. (HZ.)	800
CROSSTALK (%F.S.)	2.0
NON-LINEARITY & HYSTERESIS (%F.S.)	FORCES: 0.2
NON-LINEARITY & HYSTERESIS (%F.S.)	MOMENTS: 0.5
OPERATING TEMP. RANGE (°C)	-20 TO +85
COMPENSATED TEMP. RANGE (°C)	10 TO 70
MASS (KG)	30

WIRING CODE ("WHITE(BROWN)" = WHITE CABLE IN WHITE/BROWN PAIR)

Fx		Fy		Fz	
COLOR	FUNCTION	COLOR	FUNCTION	COLOR	FUNCTION
RED(BLACK)	+EXC.	RED(BROWN)	+EXC.	ORANGE(BLACK)	+EXC.
BLACK(RED)	-EXC.	BROWN(RED)	-EXC.	BLACK(ORANGE)	-EXC.
YELLOW(BROWN)	+SIG.	BLUE(BROWN)	+SIG.	YELLOW(BLACK)	+SIG.
BROWN(YELLOW)	-SIG.	BROWN(BLUE)	-SIG.	BLACK(YELLOW)	-SIG.

**SUNRISE INSTRUMENTS**

[www.srisensor.com](http://www.srisensor.com)

SIX AXIS FORCE PLATE LOAD CELL  
COUPLED VERSION, 450X450 MM

UNLESS OTHERWISE SPECIFIED  
DIMENSIONS ARE IN MM

M3614BT

REV.  
A2