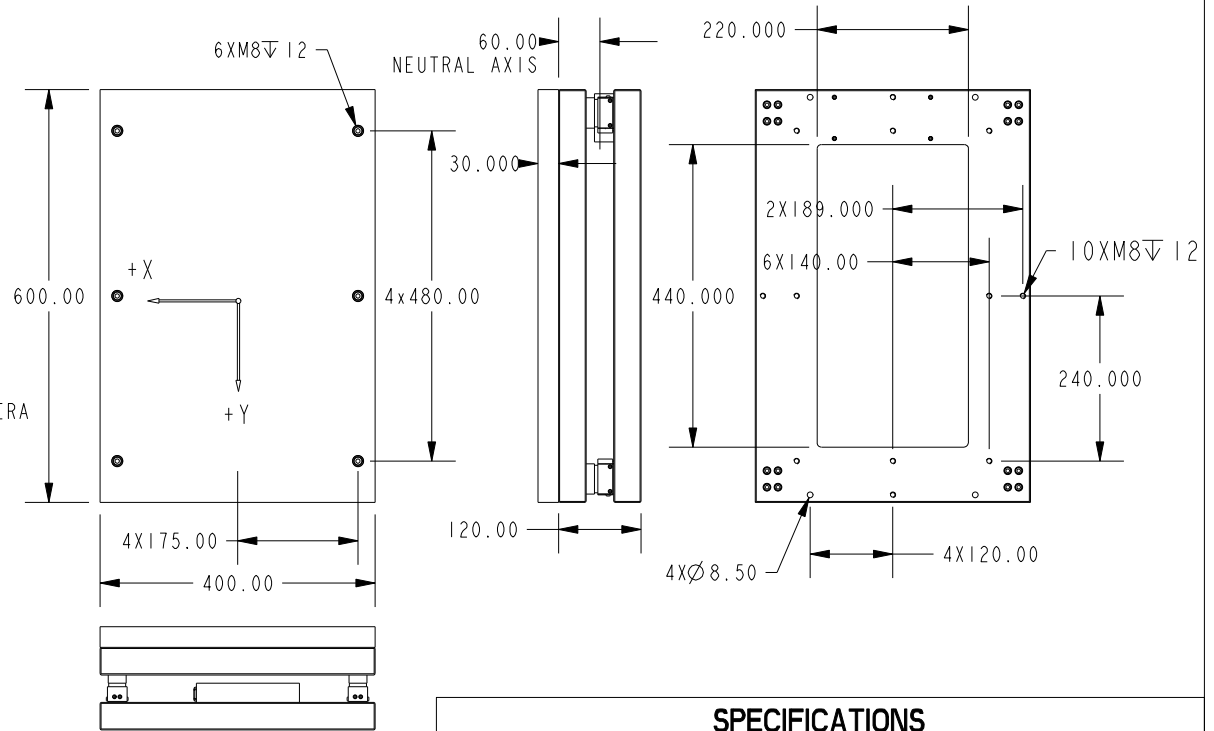
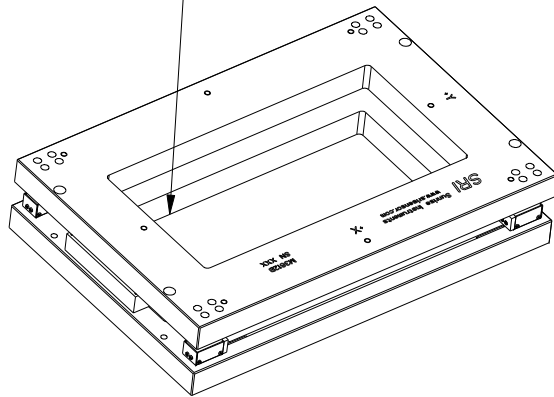


REMOVE THE TRANSPARENT PLASTIC
220MM X 400MM CAVITY SPACE FOR CAMERA



ALL CHANNELS ARE STRUCTURALLY DECOUPLED. NO DECOUPLING ALGORITHM REQUIRED
IP68, 10M UNDER FRESH WATER. UNDERWATER DEPTH HAS MINIMUM EFFECT ON OUTPUT
ALUMINUM CONSTRUCTION. EMBEDDED AMPLIFIER TO ALLOW FOR LONG CABLE
WHEN SRI'S INTERFACE BOX M8128 IS USED, RESOLUTION UP TO 1/5000

	Fx	Fy	Fz	Mx	My	Mz
CAPACITY (N/Nm)	2500	2500	5000	1000	1000	1000
OUTPUT (V)	1.3	1.3	1.2	0.9	1.4	1.3
BRIDGE RES. (Ω)	350	350	700	350	350	700

SPECIFICATIONS	
EXCITATION MAX. (V)	8
OVERLOAD CAPACITY (%F.S.)	200
FREE AIR RESONANT FREQ. (HZ.)	800
CROSSTALK (%F.S.)	5
NON-LINEARITY (%F.S.)	0.5
HYSTERESIS (%F.S.)	0.5
OPERATING TEMP. RANGE ($^{\circ}$ C)	-20 TO +85
COMPENSATED TEMP. RANGE ($^{\circ}$ C)	10 TO 70
MASS (KG)	40.1

WIRING CODE - TWISTED PAIR + 19 PIN LEMO CONNECTOR						
FUNC	FX	FY	FZ	MX	MY	MZ
+SIG	1 WHITE(BROWN)	3 ORG(BROWN)	5 BLUE(BROWN)	7 YEL(BROWN)	9 RED(BROWN)	11 WHITE(BLACK)
-SIG	2 BROWN(WHITE)	4 BROWN(ORG)	6 BROWN(BLUE)	8 BROWN(YEL)	10 BROWN(RED)	12 BLACK(WHITE)
+V (6.9V)	18 ORG(BLACK) + BLUE(BLACK) + BLACK(BLUE)			-V (NOT CONNECTED)		17 BLACK(ORG)
GROUND	19 RED(BLACK) + BLACK(RED) + YEL(BLACK) + BLACK(YEL)			SHIELD	CONNECTOR CASE	

"YEL"="YELLOW", "ORG"="ORANGE", "WHITE(BROWN)" = WHITE CABLE IN WHITE/BROWN PAIR

SUNRISE INSTRUMENTS
www.srisensor.com

SIX AXIS FORCE PLATE LOAD CELL
400 X 600 MM

UNLESS OTHERWISE SPECIFIED DIMENSIONS ARE IN MM	M3613B	REV. B
--	--------	-----------