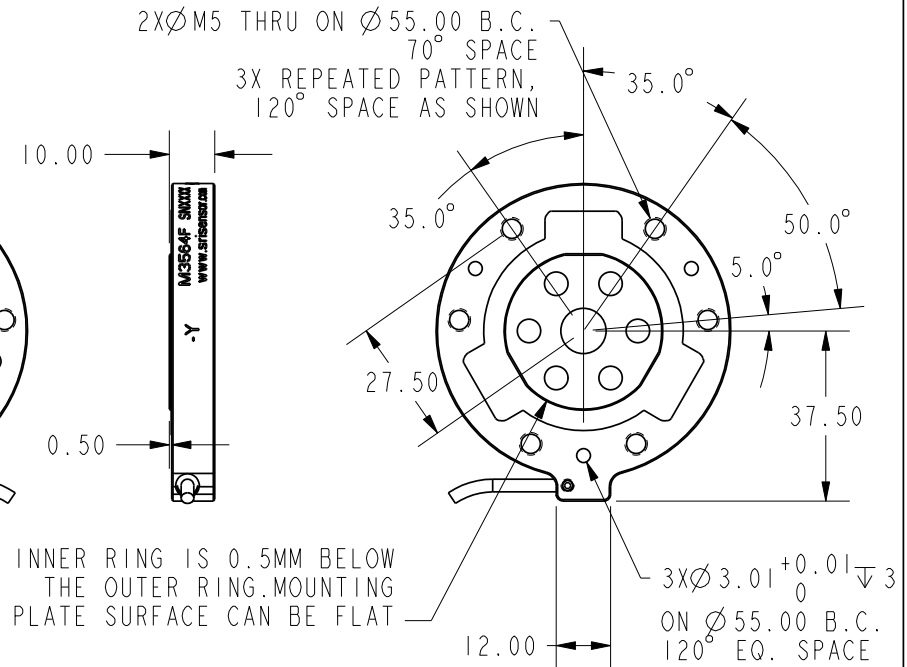
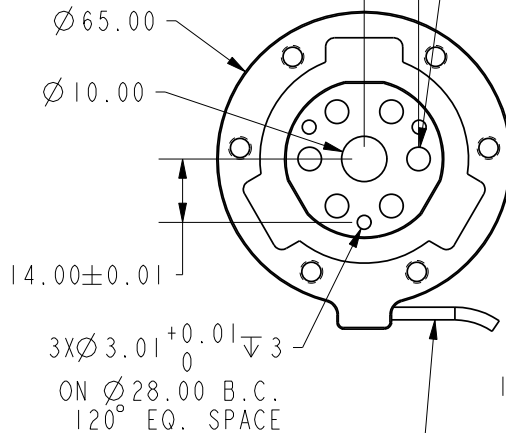


6X5.20 THRU ON  $\varnothing 24.00$  B.C.  
60° EQ. SPACE  
INNER RING IS 0.5MM ABOVE OUTER RING.



POSITIVE OUTPUT WHEN THE LOADING IS APPLIED TO THE TOOL SIDE OF THE LAODCELL, PER COORDINATE SYSTEM AS SHOWN

CHANNELS ARE COUPLED, AND DECOUPLED MATRIX ARE PROVIDED

4M CABLE

### SPECIFICATIONS

EXCITATION MAX. (V)	7
OVERLOAD CAPACITY (%F.S.)	200
FREE AIR RESONANT FREQ. (HZ.)	3100
CROSSTALK (%F.S.)	5.0
NON-LINEARITY (%F.S.)	1.0
HYSTERESIS (%F.S.)	1.0
OPERATING TEMP. RANGE (°C)	-40 TO +90
COMPENSATED TEMP. RANGE (°C)	10 TO 70
MASS (KG)	0.19

	Fx	Fy	Fz	Mx	My	Mz
<b>CAPACITY (N/Nm)</b>	2500.0	2500.0	5000.0	200.0	200.0	100
<b>OUTPUT (mV/V)</b>	COUPLED OUTPUT					
<b>BRIDGE RES. (<math>\Omega</math>)</b>	700	700	700	700	700	700

### WIRING CODE - TWISTED PAIR

FUNC	CHN1	CHN2	CHN3	CHN4	CHN5	CHN6
+SIG	WHITE (BROWN)	ORG (BROWN)	BLUE (BROWN)	YEL (BROWN)	RED (BROWN)	WHITE (BLACK)
-SIG	BROWN (WHITE)	BROWN (ORG)	BROWN (BLUE)	BROWN (YEL)	BROWN (RED)	BLACK (WHITE)
+EXC	RED (BLACK)					
-EXC	BLACK (RED)					
"YEL"="YELLOW", "ORG"="ORANGE", "WHITE (BROWN)" = WHITE CABLE IN WHITE/BROWN PAIR						

**SUNRISE INSTRUMENTS**

[www.srisensor.com](http://www.srisensor.com)

SIX AXIS CIRCULAR LOAD CELL  
EXTRA THIN, D65MM F2500N

UNLESS OTHERWISE SPECIFIED  
DIMENSIONS ARE IN MM

M3564F

REV.  
0.4