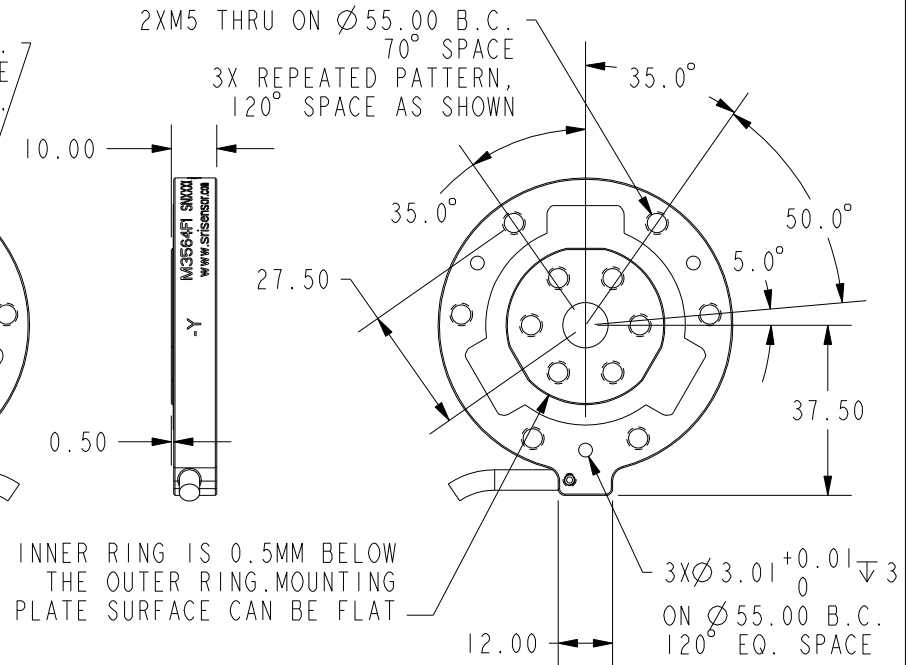
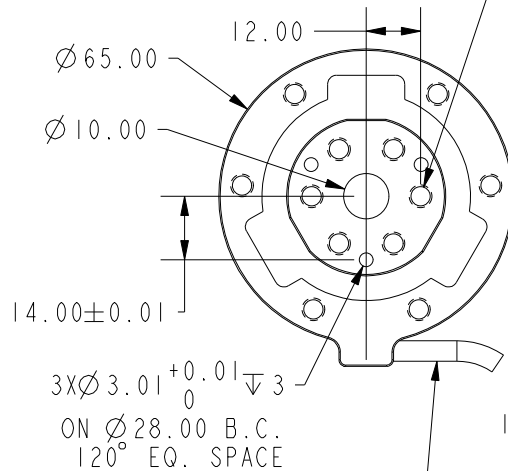


6XM5 THRU ON $\varnothing 24.00$ B.C.
60° EQ. SPACE
INNER RING IS 0.5MM ABOVE OUTER RING.



INNER RING IS 0.5MM BELOW THE OUTER RING. MOUNTING PLATE SURFACE CAN BE FLAT

POSITIVE OUTPUT WHEN THE LOADING IS APPLIED TO THE TOOL SIDE OF THE LAODCELL, PER COORDINATE SYSTEM AS SHOWN

CHANNELS ARE COUPLED, AND DECOUPLED MATRIX ARE PROVIDED

4M CABLE

SPECIFICATIONS

EXCITATION MAX. (V)	7
OVERLOAD CAPACITY (%F.S.)	200
FREE AIR RESONANT FREQ. (HZ.)	3100
CROSSTALK (%F.S.)	5.0
NON-LINEARITY (%F.S.)	1.0
HYSTERESIS (%F.S.)	1.0
OPERATING TEMP. RANGE (°C)	-40 TO +90
COMPENSATED TEMP. RANGE (°C)	10 TO 70
MASS (KG)	0.19

	Fx	Fy	Fz	Mx	My	Mz
CAPACITY (N/Nm)	2500.0	2500.0	5000.0	200.0	200.0	100
OUTPUT (mV/V)	COUPLED OUTPUT					
BRIDGE RES. (Ω)	650	650	650	650	650	650

WIRING CODE - TWISTED PAIR

FUNC	CHN1	CHN2	CHN3	CHN4	CHN5	CHN6
+SIG	WHITE (BROWN)	ORG (BROWN)	BLUE (BROWN)	YEL (BROWN)	RED (BROWN)	WHITE (BLACK)
-SIG	BROWN (WHITE)	BROWN (ORG)	BROWN (BLUE)	BROWN (YEL)	BROWN (RED)	BLACK (WHITE)
+EXC	RED (BLACK)					
-EXC	BLACK (RED)					
"YEL"="YELLOW", "ORG"="ORANGE", "WHITE (BROWN)" = WHITE CABLE IN WHITE/BROWN PAIR						

SUNRISE INSTRUMENTS

www.srisensor.com

SIX AXIS CIRCULAR LOAD CELL
EXTRA THIN, D65MM F2500N

UNLESS OTHERWISE SPECIFIED
DIMENSIONS ARE IN MM

M3564F1

REV.
0.3