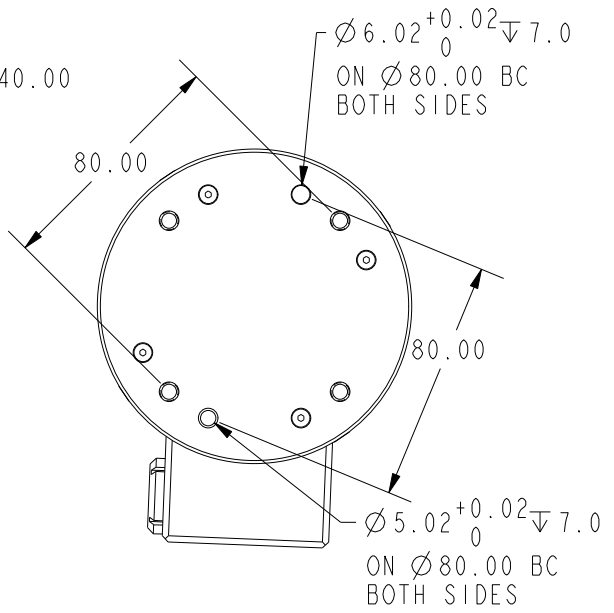
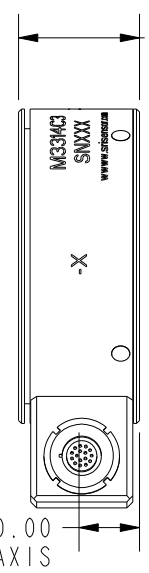
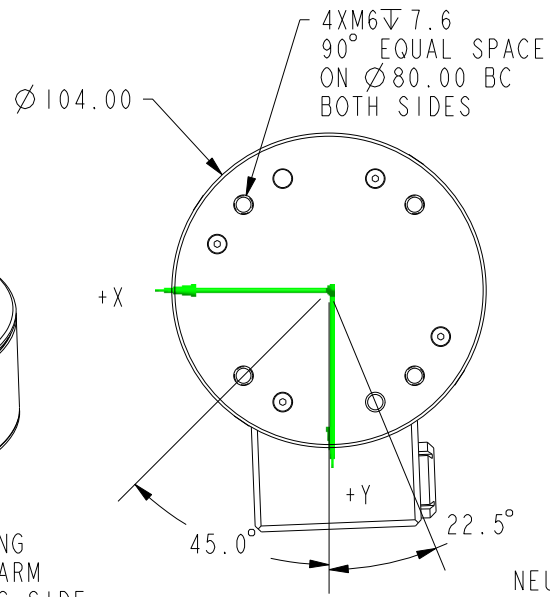


MOUNTING TOOL TO THIS SIDE

MOUNTING ROBOT ARM TO THIS SIDE

LEMO CONNECTOR
EGG.2K.316.CLL
MATING CONNECTOR
FGG.2K.316.CLAD50Z



THE OUTPUT IS POSITIVE WHEN THE LOAD IS APPLIED TO THE TOOL SIDE PER COORDINATE AS SHOWN. ALL CHANNELS ARE STRUCTURALLY DECOUPLED EMBEDDED AMPLIFIER INLCUDED.

| | Fx | Fy | Fz | Mx | My | Mz |
|-------------------------|-----|-----|------|-----|-----|-----|
| CAPACITY (N/Nm) | 165 | 165 | 1980 | 15 | 15 | 15 |
| OUTPUT @ F.S.(V) | 2.0 | 2.0 | 2.0 | 1.9 | 1.9 | 2.0 |

LEMO PIN ASSIGMENT / WIRING CODE - TWISTED PAIR

| PIN# / Color | FUNC | PIN# / Color | FUNC | PIN# / Color | FUNC |
|-----------------------------|------|----------------|-----------|-----------------|-----------|
| 1 RED(BLACK) & BLACK(RED) | GND | 6 BROWN(WHITE) | -FX(2.5V) | 11 YEL(BROWN) | +MX |
| 2 YEL(BLACK) & BLACK(YEL) | GND | 7 ORG(BROWN) | +FY | 12 BROWN(YEL) | -MX(2.5V) |
| 3 BLUE(BLACK) & BLACK(BLUE) | Vin | 8 BROWN(ORG) | -FY(2.5V) | 13 RED(BROWN) | +MY |
| 4 ORG(BLACK) & BLACK(ORG) | Vin | 9 BLUE(BROWN) | +FZ | 14 BROWN(RED) | -MY(2.5V) |
| 5 WHITE(BROWN) | +FX | 10 BROWN(BLUE) | -FZ(2.5V) | 15 WHITE(BLACK) | +MZ |
| | | | | 16 BLACK(WHITE) | -MZ(2.5V) |

"YEL"="YELLOW", "ORG"="ORANGE", "WHITE(BROWN)" = WHITE CABLE IN WHITE/BROWN PAIR

SPECIFICATIONS

| | |
|--------------------------------------|-------------|
| VOLTAGE INPUT (Vin) | 11-25V |
| OVERLOAD CAPACITY (%F.S.) | 1000 |
| LOWEST FREE AIR RESONANT FREQ. (HZ.) | 1200 |
| CROSSTALK - NO ADJUSTMENT (%F.S.) | 5 |
| CROSSTALK - WITH ADJUSTMENT (%F.S.) | 2 |
| NON-LINEARITY (%F.S.) | 1.0 |
| HYSTERESIS (%F.S.) | 1.0 |
| OPERATING TEMP. RANGE (°C) | -40 TO +100 |
| COMPENSATED TEMP. RANGE (°C) | 10 TO 70 |
| MASS (KG) | 1.25 |

SUNRISE INSTRUMENTS
www.srisensor.com

SIX AXIS LOADCELL WITH OL STOPS & AMP
D104MM F165-800N, IP65

| | | |
|---|---------|--------|
| UNLESS OTHERWISE SPECIFIED DIMENSIONS ARE IN MM | M3314C3 | REV. C |
|---|---------|--------|