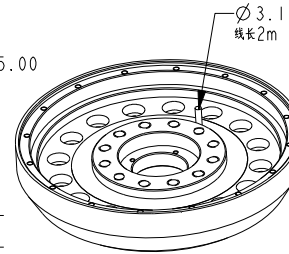
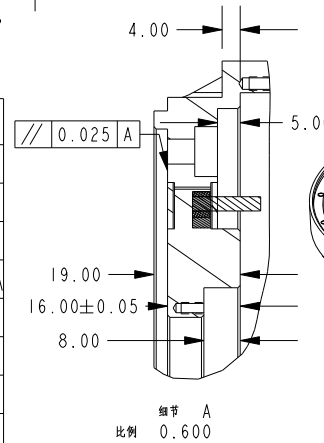


DRAWING IN THIRD ANGLE PROJECTION

NOTE: THE OVERLOAD CAPACITIES FOR BENDING MOMENT, AXIAL AND RADIAL FORCE EXCEED 300% OF THOSE USED FOR CROSSTALK MEASUREMENT

**SPECIFICATIONS**

CAPACITY (Nm)	250
OVERLOAD CAPACITY (%F.S.)	300
DIFFERENTIAL OUTPUT @ F.S. (V)	2.5±2
POWER SUPPLY (V)	4.5V-5V, 25MA
BRIDGE RESISTANCE (Ω) NOMINAL	350
NON-LINEARITY (%F.S.)	0.5
HYSTERESIS (%F.S.)	0.5
OPERATING TEMP. RANGE (°C)	-20 TO +85
CROSSTALK (%F.S.)	1.0
AXIAL FORCE FOR CROSSTALK (N)	450
RADIAL FORCE FOR CROSSTALK (N)	750
BENDING MOMENT FOR CROSSTALK (Nm)	30
TORSION ANGLE (CALCULATED)	0.05°
TORSIONAL STIFFNESS (KNm/RAD)	286
BENDING STIFFNESS (KNm/RAD)	42
MASS (KG)	1.4



**WIRING CODE**

COLOR	FUNCTION
RED	+EX
GREEN	+SIG
BLACK	GND
BROWN	-SIG

差分输出

**SUNRISE INSTRUMENTS**

[www.srisensor.com](http://www.srisensor.com)

SINGLE AXIS TORQUE LOADCELL  
D140MM, 250 Nm

UNLESS OTHERWISE SPECIFIED  
DIMENSIONS ARE IN MM

M2212U7

REV.  
A