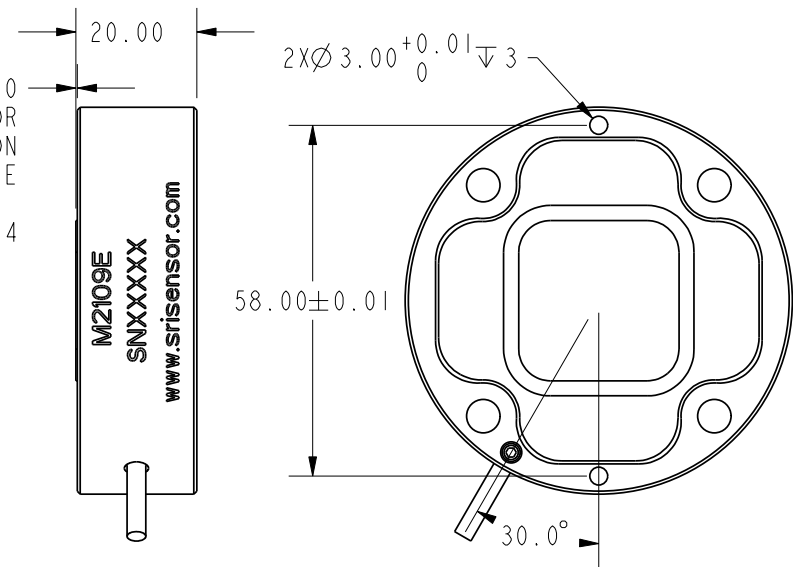
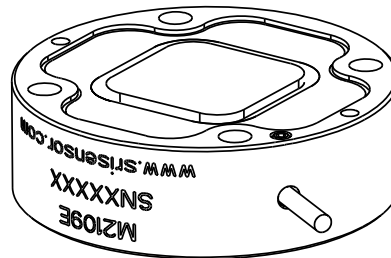
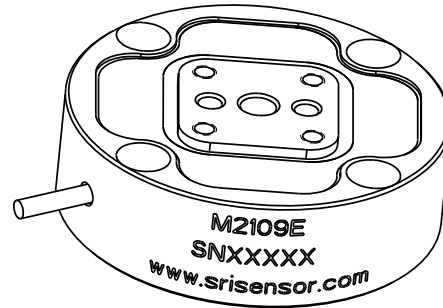


0.20
 BOTH SIDES, FOR
 OVERLOAD PROTECTION
 FLAT MOUNTING SURFACE
 ON BOTH SIDES WITH
 MIN. DIAMETER Ø64



RESOLUTION IS DEFINED WITH VISIBLE
 CHANGE WHEN MINIMUM LOAD IS QUICKLY
 APPLIED OR REMOVED AT 200 HZ SAMPLING
 RATE WITH INTERFACE BOX M8128C6



| WIRING CODE | |
|-------------|----------|
| COLOR | FUNCTION |
| RED | +EX |
| GREEN | +SIG |
| BLACK | -EX |
| BROWN | -SIG |

SPECIFICATIONS

| | |
|----------------------------------|--------------|
| CAPACITY (N) | 100.0 |
| OVERLOAD CAPACITY (%F.S.) | 400 |
| OVERLOAD CAPACITY BENDING MOMENT | 100N @ 100MM |
| OUTPUT WITH AFTER AMPLIFIER | 1V TO 9V |
| INPUT POWER TO AMPLIFIER | 24V |
| BRIDGE RESISTANCE (Ω) NOMINAL | 350 |
| NON-LINEARITY (%F.S.) | 1.0 |
| HYSTERESIS (%F.S.) | 1.0 |
| OPERATING TEMP. RANGE (°C) | -20 TO +85 |
| RESOLUTION | 0.1 N |
| MASS (KG) | 0.11 |

SUNRISE INSTRUMENTS
 www.srisensor.com

UNIAXIAL LOADCELL 100N
 D64MM, T20MM

UNLESS OTHERWISE SPECIFIED
 DIMENSIONS ARE IN MM

M2109E

REV.
 0.1