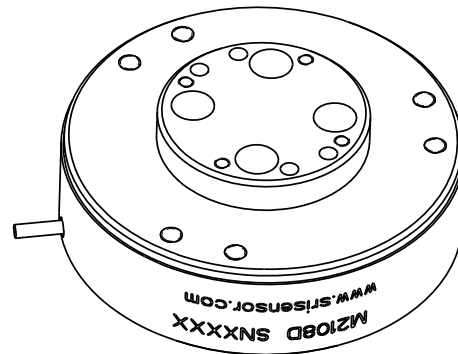
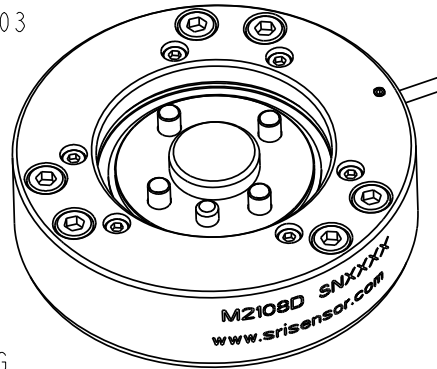


5M CABLE TO AMP
IM CABLE EXIT
FROM AMP
PIGTAIL

RESOLUTION IS DEFINED WITH VISIBLE
CHANGE WHEN MINIMUM LOAD IS QUICKLY
APPLIED OR REMOVED AT 200 HZ SAMPLING
RATE WITH INTERFACE BOX M8128C6



WIRING CODE	
COLOR	FUNCTION
RED	PWR (24V)
GREEN	+SIG
BLACK	PWR GND
BROWN	SIG GND

SPECIFICATIONS

CAPACITY (N)	100.0
OVERLOAD CAPACITY (%F.S.)	600
OVERLOAD CAPACITY BENDING MOMENT	100N @ 100MM
OUTPUT WITH RESPECT TO SIG GROUND	1V TO 9V
INPUT POWER	24V
BRIDGE RESISTANCE (Ω) NOMINAL	525
NON-LINEARITY (%F.S.)	1.0
HYSTERESIS (%F.S.)	1.0
OPERATING TEMP. RANGE ($^{\circ}$ C)	-20 TO +85
RESOLUTION	0.02 N
MASS (KG)	0.24

SUNRISE INSTRUMENTS
www.srisensor.com

SINGLE AXIS LOADCELL 100N
WITH OVERLOAD PROTECTION

UNLESS OTHERWISE SPECIFIED
DIMENSIONS ARE IN MM

M2108D

REV.
A