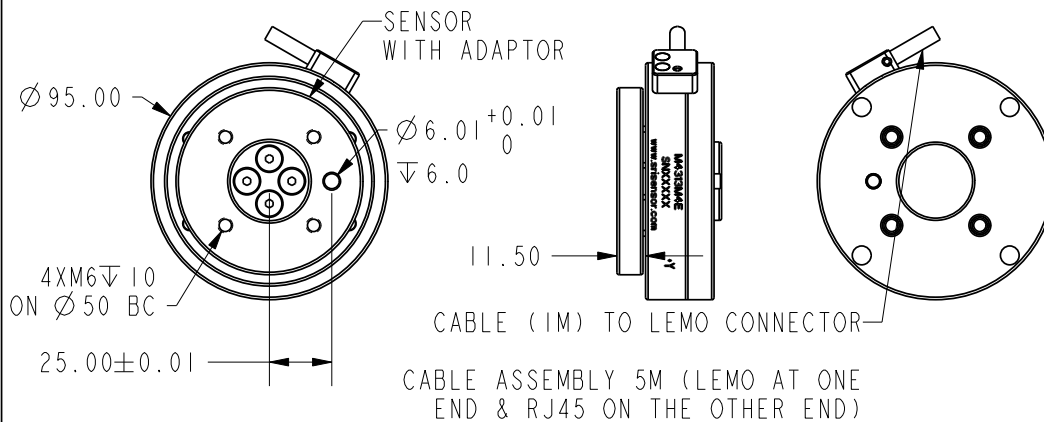


3635C2A-30
ADAPTOR PLATE

4XFHCSM5X14

POSITIVE OUTPUT WHEN THE LOAD IS APPLIED TO THE TOOL SIDE PER COORDINATE SYSTEM AS SHOWN

THE SENSOR HAS INTERNAL AMPLIFIER AND DATA ACQUISITION SYSTEM.



CABLE (1M) TO LEMO CONNECTOR
CABLE ASSEMBLY 5M (LEMO AT ONE END & RJ45 ON THE OTHER END)

SPECIFICATIONS

EXCITATION MAX. (V)	+24V, 120MA
OVERLOAD CAPACITY (%F.S.)	200
CROSSTALK (%F.S.)	2.5
NON-LINEARITY (%F.S.)	0.5
HYSTERESIS (%F.S.)	0.5
OPERATING TEMP. RANGE (°C)	-40 TO +100
COMPENSATED TEMP. RANGE (°C)	10 TO 70
MASS (KG) NOT INCLUDING ADAPTOR	0.36

SUNRISE INSTRUMENTS

www.srisensor.com

SIX AXIS CIRCULAR LOAD CELL
D95MM F250N, ETHERCAT OUTPUT

UNLESS OTHERWISE SPECIFIED
DIMENSIONS ARE IN MM

M4313M4E

REV.
A

	Fx	Fy	Fz	Mx	My	Mz
CAPACITY (N/Nm)	250	250	250	24	24	24
OUTPUT (Digital)	ETHERCAT					
BRIDGE RES. (Ω)	350	350	350	350	350	350